

SALES AND APPLICATION



DELTA^Q



DELTA^Q



DELTA^Q



DELTA^Q



DELTA^Q



DELTA^Q



DELTA^Q



DELTA^Q



DELTA^Q



DP16A SERIES TANDEM GEAR PUMPS

Plant Location and Mailing Address
10827 TOWER OAKS BLVD.
HOUSTON, TX 77070

Visit our website @ www.deltaq.com
Email: info@deltaq.com
281-807-1840 Phone or 800-650-3110 Phone
281-807-4457 Fax

S&ASP16A.003&DP16A.001

DELTA^Q

S&ADP16A.001

DUAL PUMP ORDERING CODE:

DP16A	11	11	R	C	7	A
SERIES	FRONT DISPLACEMENT	REAR DISPLACEMENT	ROTATION	COMMON INLET	SHAFT	MOUNTING

SERIES:
DP16A DUAL GEAR PUMP

INLET:
C - COMMON INLET O-RING PORT
S - SEPARATE INLET O-RING PORTS

DISPLACEMENT:

MODEL	Cir (CM ³ /REV)	OUTLET PORT		SEPARATE INLET		COMMON INLET
		FRONT PUMP	REAR PUMP	FRONT PUMP	REAR PUMP	FRONT PUMP
05	0.30 (5.0)	#10 7/8-14	#10 7/8-14	#12 1 1/16-12	#12 1 1/16-12	#12 1 1/16-12
07	0.43 (7.0)	#10 7/8-14	#10 7/8-14	#12 1 1/16-12	#12 1 1/16-12	#12 1 1/16-12
09	0.58 (9.5)	#10 7/8-14	#10 7/8-14	#12 1 1/16-12	#12 1 1/16-12	#12 1 1/16-12
11	0.69 (11.3)	#10 7/8-14	#10 7/8-14	#12 1 1/16-12	#12 1 1/16-12	#12 1 1/16-12
14	0.85 (14.0)	#10 7/8-14	#10 7/8-14	#12 1 1/16-12	#12 1 1/16-12	#12 1 1/16-12
16	0.98 (16.0)	#10 7/8-14	#10 7/8-14	#12 1 1/16-12	#12 1 1/16-12	#16 1 5/16-12
18	1.10 (18.0)	#10 7/8-14	#10 7/8-14	#12 1 1/16-12	#12 1 1/16-12	#16 1 5/16-12
22	1.31 (21.5)	#12 1 1/16-12	#12 1 1/16-12	#16 1 5/16-12	#16 1 5/16-12	#16 1 5/16-12

ROTATION:

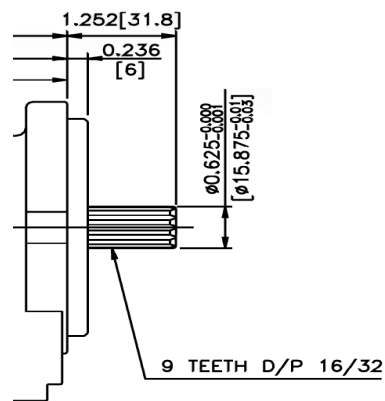
R - CW
L - CCW

SHAFT:

1 - KEY, SAE "A" 0.625 DIAMETER
7 - SPLINE, SAE "A" 9 TOOTH

MOUNTING:

A - SAE "A" 2 BOLT 3.250" PILOT



INSTALLATION:

MODEL	DIMENSIONS (INCH)			PRESSURE PSI(Mpa)	MAXIMUM RPM	WEIGHT LB.(KG)
	A	B	C			
DP16A0505	1.687	4.447	6.142	3000(21)	3500	10.27(4.66)
DP16A0705	1.746	4.565	6.260	3000(21)	3500	10.44(4.74)
DP16A0707	1.746	4.624	6.378	3000(21)	3500	10.60(4.81)
DP16A0905	1.825	4.723	6.418	3000(21)	3500	10.58(4.80)
DP16A0907	1.825	4.782	6.536	3000(21)	3500	10.85(4.92)
DP16A0909	1.825	4.860	6.693	3000(21)	3500	11.06(5.02)
DP16A1107	1.884	4.900	6.654	3000(21)	3500	11.03(5.00)
DP16A1109	1.884	4.978	6.811	3000(21)	3500	11.24(5.10)
DP16A1111	1.884	5.037	6.929	3000(21)	3500	11.39(5.17)
DP16A1407	1.963	5.057	6.811	3000(21)	3500	11.23(5.09)
DP16A1409	1.963	5.136	6.969	3000(21)	3500	11.45(5.20)
DP16A1411	1.963	5.195	7.087	3000(21)	3500	11.60(5.26)
DP16A1414	1.963	5.274	7.244	3000(21)	3500	11.79(5.35)
DP16A1607	2.022	5.175	6.929	3000(21)	3500	11.44(5.19)
DP16A1609	2.022	5.254	7.087	3000(21)	3500	11.64(5.28)
DP16A1611	2.022	5.313	7.205	3000(21)	3500	11.80(5.35)
DP16A1614	2.022	5.392	7.362	3000(21)	3500	11.99(5.44)
DP16A1616	2.022	5.490	7.481	3000(21)	3500	12.16(5.52)
DP16A1807	2.081	5.293	7.048	2600(18.2)	3500	11.63(5.28)
DP16A1809	2.081	5.372	7.205	2600(18.2)	3500	11.84(5.37)
DP16A1811	2.081	5.431	7.323	2600(18.2)	3500	12.00(5.44)
DP16A1814	2.081	5.510	7.481	2600(18.2)	3500	12.18(5.53)
DP16A1816	2.081	5.608	7.599	2600(18.2)	3500	12.36(5.61)
DP16A1818	2.081	5.628	7.717	2600(18.2)	3500	12.56(5.70)
DP16A2207	2.180	5.490	7.244	2600(18.2)	3500	11.90(5.4)
DP16A2209	2.180	5.569	7.402	2600(18.2)	3500	12.11(5.49)
DP16A2211	2.180	5.628	7.520	2600(18.2)	3500	12.26(5.56)
DP16A2214	2.180	5.707	7.677	2600(18.2)	3500	12.47(5.66)
DP16A2216	2.180	5.805	7.769	2600(18.2)	3500	12.62(5.73)
DP16A2218	2.180	5.825	7.914	2600(18.2)	3500	12.84(5.83)
DP16A2222	2.180	5.923	8.111	2600(18.2)	3500	13.11(5.95)

